

Universal cold milling machine for a wide variety of applications.

Cold Milling Machine W 35 XRi



US VERSION



The highly maneuverable cold milling machine is perfect for milling jobs in confined spaces.

The machine's range of applications can be extended through the use of a variety of different milling drums with milling drum housing widths of 14 in (0.35 m) or 20 in (0.5 m).

The machine is also suitable for renovation work in industrial warehouses or parking garages.

The W 35 XRi stands out for its low machine weight with additional weights that can be used as required for optimum ballasting and traction to meet varying requirements.

The LEVEL PRO **PLUS** leveling system fully integrated into the machine control system guarantees high-precision milling results.

Universal cold milling machine

for a wide variety of applications



Highlights of the Cold Milling Machine at a Glance

04
05

1 | HIGH-PRECISION, INTUITIVE LEVELING WITH LEVEL PRO PLUS

- > High-precision LEVEL PRO PLUS leveling system
- > Fast, electronic cross-slope sensor
- > Laser leveling

2 | SIMPLE, ERGONOMIC OPERATION

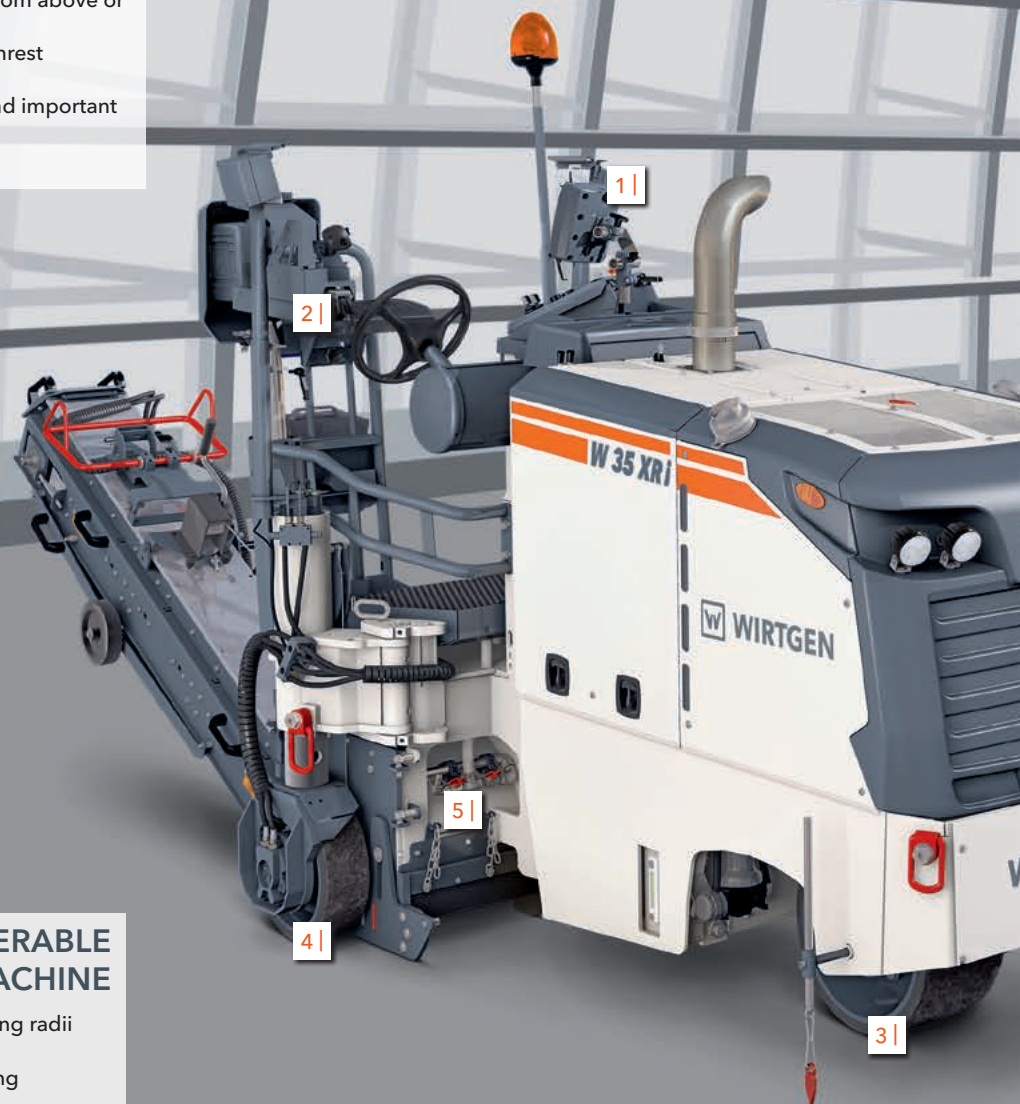
- > Variable operator's platform for operation from above or at the rear of the machine
- > Ergonomically designed multifunctional armrest
- > Simple, intuitive operating concept
- > Unobstructed view of the right side plate and important working areas
- > Display for machine parameters

3 | PARTICULARLY MANEUVERABLE AND COMPACT MACHINE

- > Excellent maneuverability and minimal milling radii
- > Particularly compact machine dimensions
- > Hydraulic steering system for precise steering

4 | PRECISE STEERING WITH HIGH TRACTION

- > Hydraulic all-wheel drive for excellent traction
- > Precise height adjustment
- > Memory function for height adjustment
- > Electronically controlled travel drive for high-precision milling



71 HIGH PRODUCTIVITY WITH LOW ENVIRONMENTAL EMISSIONS

- > High-performance engine that meets US EPA Tier 4f exhaust emission standard
- > Variable additional weights up to 3,087 lbs (1,400 kg)
- > State-of-the-art WITOS FleetView telematics system for efficient operations
- > Optimally arranged LED work lights



51 FLEXIBILITY FOR DIFFERENT MILLING JOBS

- > Wear-resistant HT08 toolholder system
- > Manually raisable side plate on right side
- > High-performance, load-dependent milling drum water sprinkling
- > Milling drum housing for working widths up to 14 in (350 mm) or 20 in (500 mm)
- > Rapid milling drum changes
- > Three different milling drum speeds
- > Milling power control for maximum advance speed

61 EFFICIENT LOADING OF MILLED MATERIAL

- > Height-adjustable discharge conveyor that can swing in both directions
- > Hydraulically raisable conveyor mounting
- > Discharge conveyor can be quickly mounted and demounted by only one person



EVERYTHING UNDER CONTROL

With the W 35 XRi small milling machine, operators have complete control. The machine features clearly and ergonomically arranged control instruments, a perfect view of the most important working areas, an additional operator's platform behind the milling drum, and the intuitive LEVEL PRO **PLUS** leveling technology is also on board. The W 35 XRi - for stress-free work and increased output.

Operating

Highlights



High-Precision, Intuitive **LEVEL PRO PLUS** Leveling System

08
09

When milling it's important to remove the layers of asphalt at the specified depth. WIRTGEN's intuitive **LEVEL PRO PLUS** leveling technology can be relied on to precisely maintain the specified milling depth.

HIGH-PRECISION LEVELING SYSTEM

The **LEVEL PRO PLUS** leveling system programmed especially for cold milling machines offers easy and intuitive one-hand operation using the rotary knob, and the menu can be configured as desired. **LEVEL PRO PLUS** stands out due to its extremely precise milling results. The leveling system is fully integrated into the machine control system, enabling a high degree of automation.

FAST CROSS-SLOPE SENSOR

The fast, electronic RAPID SLOPE cross-slope sensor ensures that the cross-slope profile is extremely precise. The cross-slope sensor makes it possible to work significantly faster while maintaining the same leveling quality.

LASER LEVELING

Laser sensors on the machine work in conjunction with a stationary rotating laser that creates a virtual reference surface. The extremely accurate height measurement via laser sensors is suitable, for example, for indoor milling work. Rotating lasers are not included in our delivery range.

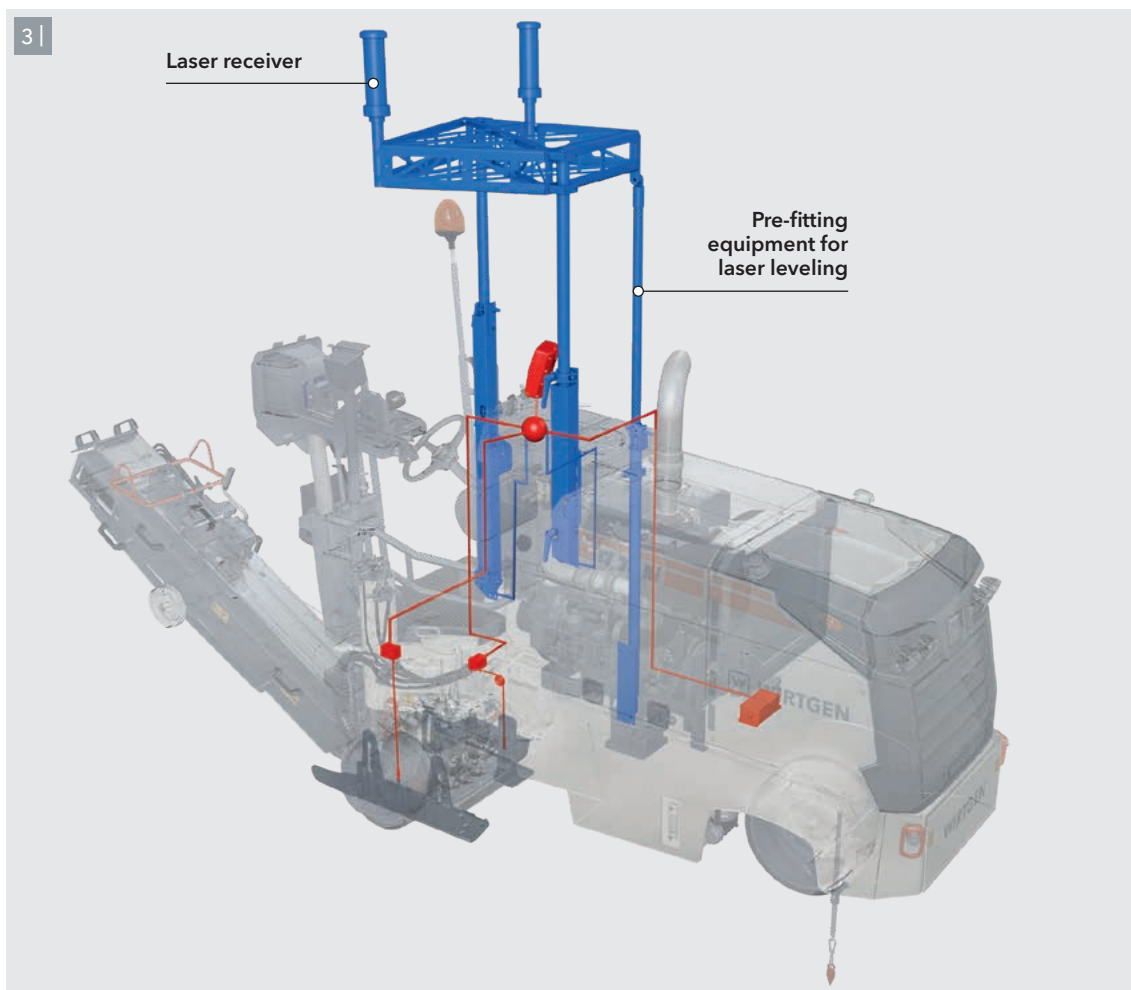
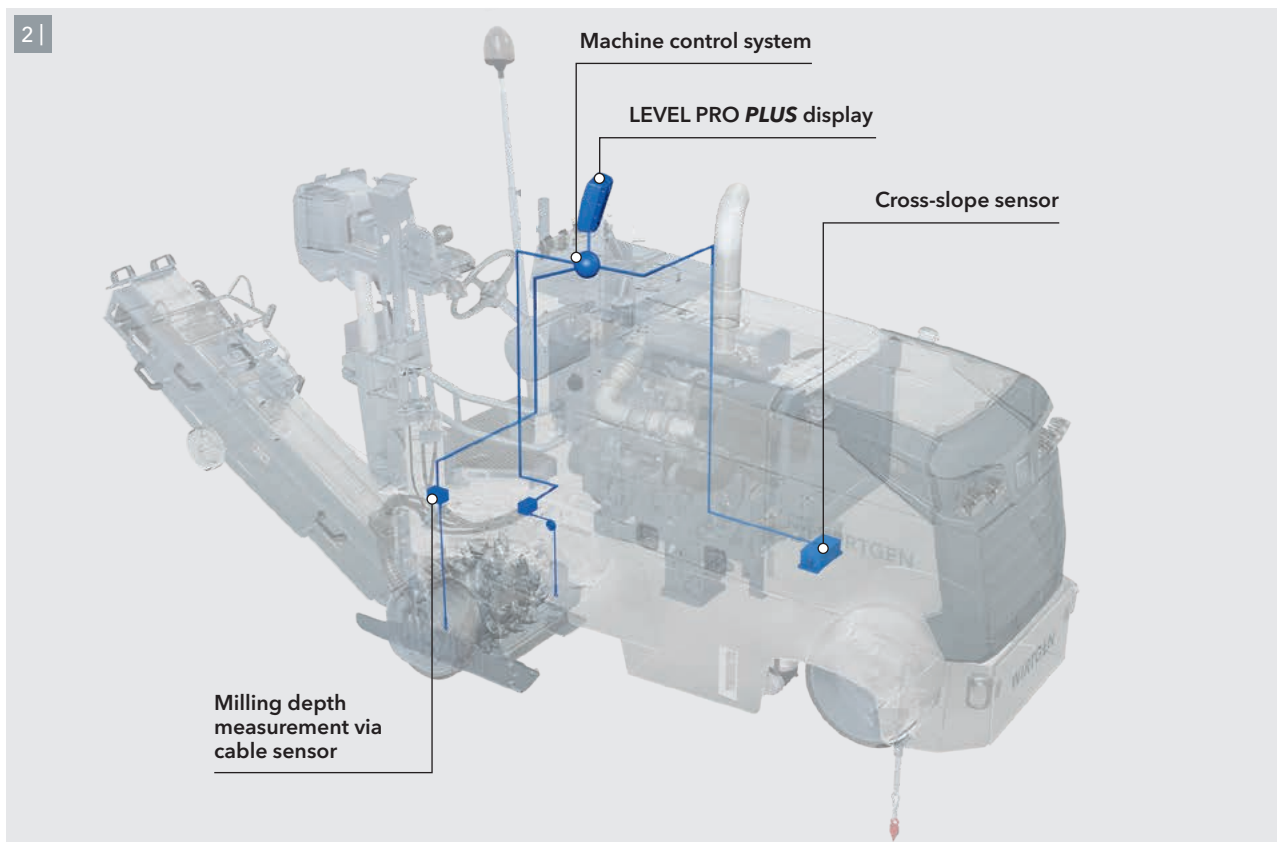
11



1 | **LEVEL PRO PLUS** is synonymous with perfect leveling quality at high operating speeds.

2 | The **LEVEL PRO PLUS** leveling system uses a variety of different sensors.

3 | The pre-fitting equipment for laser leveling makes it possible to use laser receivers in combination with an external rotating laser. Laser leveling requires **LEVEL PRO PLUS** to be installed on the machine.



Simple, Ergonomic Operation

10
11

The effortless operation of the W 35 XRi is also perfectly integrated into the standardized operating concept of WIRTGEN's entire range of small milling machines, guaranteeing productive operation right from the start.

VARIABLE OPERATOR'S PLATFORM

For universal, ergonomic operation, the operator can choose to operate the small milling machine from above or from the rear of the machine. The operator can quickly and easily switch to the respective position on the job site.

ERGONOMIC MULTIFUNCTIONAL ARMREST

The individually adjustable armrest with multifunctional joystick guarantees fast, ergonomic operation.

INTUITIVE OPERATING CONCEPT

The simple operating concept increases the operator's performance and thus the productivity of the small milling machine.

UNOBSTRUCTED VIEW

An unobstructed view forward to the milled edge, of the right-hand side plate, and to the rear ensures that the machine can be used effectively on the job site in accordance with the on-site requirements.

DISPLAY

The display located in the operator's field of vision clearly shows important machine parameters.

11



1 | The ergonomically designed operator's platform with multifunctional armrest significantly increases the machine's productivity.

2 | The operator has everything under control with just one hand.

3 | The variable operator's platform that allows the position of the workstation to be changed increases the machine's range of applications.





A photograph of a Wirtgen W35 XR1 milling machine at a construction site. The machine is white with orange accents and has a large black bucket. A worker wearing a red hard hat and a high-visibility vest is visible in the operator's cab. The machine is parked on a concrete surface next to a building with grey horizontal siding. The text "Driving and Steering Highlights" is overlaid on the right side of the image.

Driving and Steering Highlights

FAST AND MANEUVERABLE ON THE JOB

Compact in size. Maneuverable in operation. Fast in on-site use. To get around every curve. To be successful, even in tight spaces. And to be the first to make it to the next location. The nimble, agile small milling machine makes every turning and maneuvering operation child's play.

A Highly Maneuverable and Compact Machine

14
15

The outstanding maneuverability of the extremely compact W 35 XRi small milling machine means that it can be used to complete a variety of jobs in the narrow sections of a milling site much more quickly and easily.

EXCELLENT MANEUVERABILITY

The large steering angles ensure that the machine can quickly maneuver and turn on the job site. It also features the smallest inside milling radius in its class.

COMPACT MACHINE DIMENSIONS

Thanks to its extremely compact design, the small milling machine can mill in confined spaces, fit through narrow factory doors, and is easy to transport.

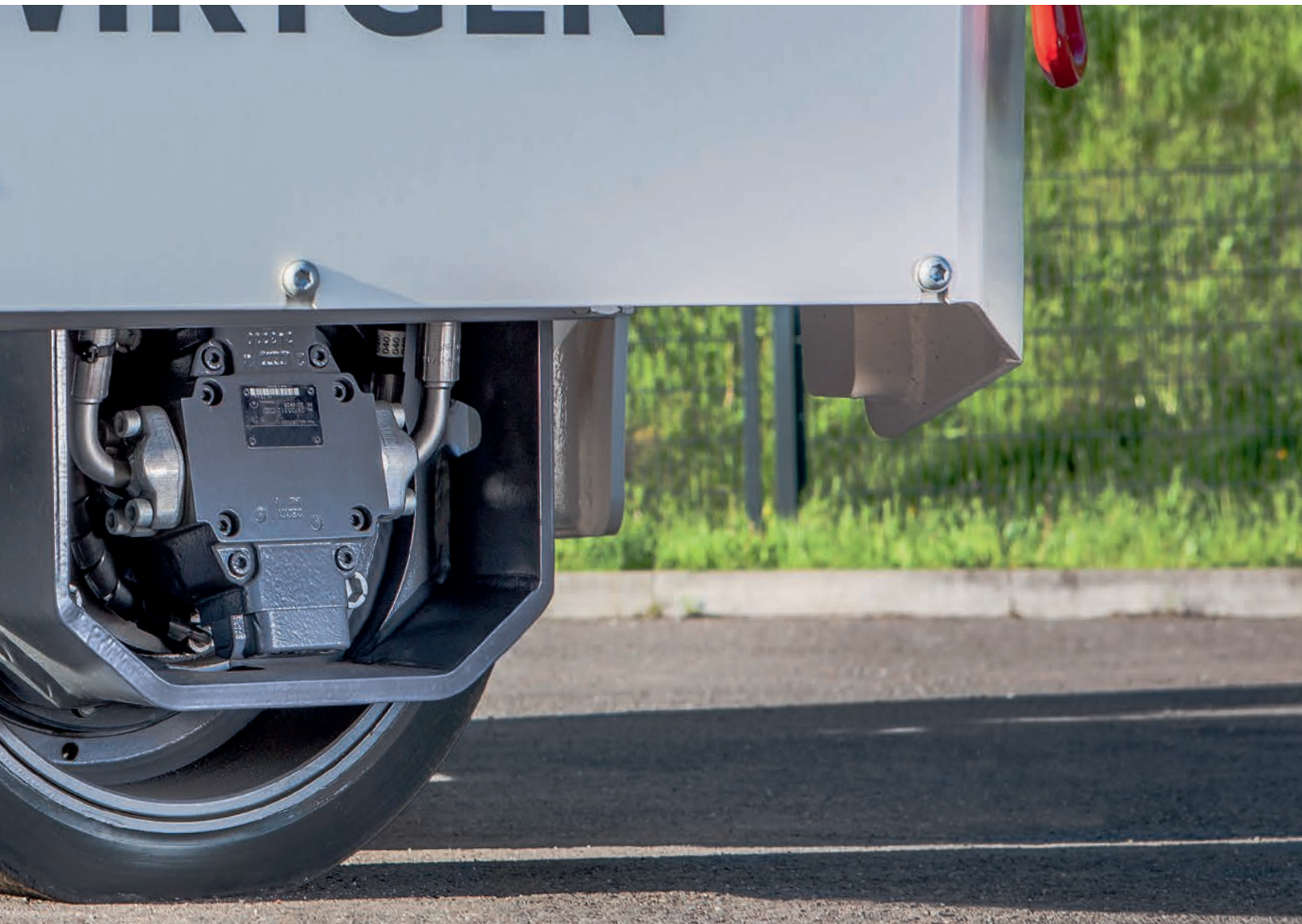
PRECISE STEERING

The hydraulic steering system features fast yet precise steering. When operated from the operator's platform at the rear of the machine, the machine can be steered electronically via the steering system built into the multifunctional joystick.

1 | *The machine's impressive steering angles make operations on narrow job sites easier.*



2 | The small milling machine is ideally suited for fast maneuvering in narrow areas - also thanks to the ability to simply swing in the right rear wheel.



Precise Steering with High Traction

16
17

The W 35 XRi is equipped with a sensitive steering system that enables it to mill with maximum precision whenever required - such as around hydrants or drains, for example. In addition, optimal traction ensures that milling operations can be carried out without interruption.

HYDRAULIC ALL-WHEEL DRIVE

The machine's hydraulic all-wheel drive offers excellent traction in difficult job site situations and during loading.

PRECISE HEIGHT ADJUSTMENT

The electrohydraulic, two-stage height adjustment system allows the operator to set the milling depth precisely.

MEMORY FUNCTION FOR HEIGHT ADJUSTMENT

For fast, convenient height adjustment, it's possible to save up to three different height positions per machine side to memory buttons on the multifunctional armrest.

ELECTRONICALLY CONTROLLED TRAVEL DRIVE

The electronically controlled travel drive with one transport speed and two milling speeds makes fine maneuvering possible when extremely precise milling is required.



1 - 2 | The electronically controlled travel drive makes high-precision milling possible - such as around road installations, for example.



Milling and

Loading Highlights





VERSATILITY IS KEY

It doesn't matter whether you're milling out smaller areas, milling out a space around manhole covers, marking road surfaces and removing markings, or doing fine milling work in combination with a large milling machine. Equipped with different milling drums and WIRTGEN's innovative cutting technology, the versatile W 35 XRi small milling machine has the right answer to nearly every challenge.

Flexibility for Different Milling Jobs

Intelligent milling drum, side plate, and scraper solutions make milling faster, easier, and increase overall quality.

WEAR-RESISTANT HT08 TOOLHOLDER SYSTEM

The HT08 toolholder system stands out thanks to its outstanding wear resistance and long tool life.

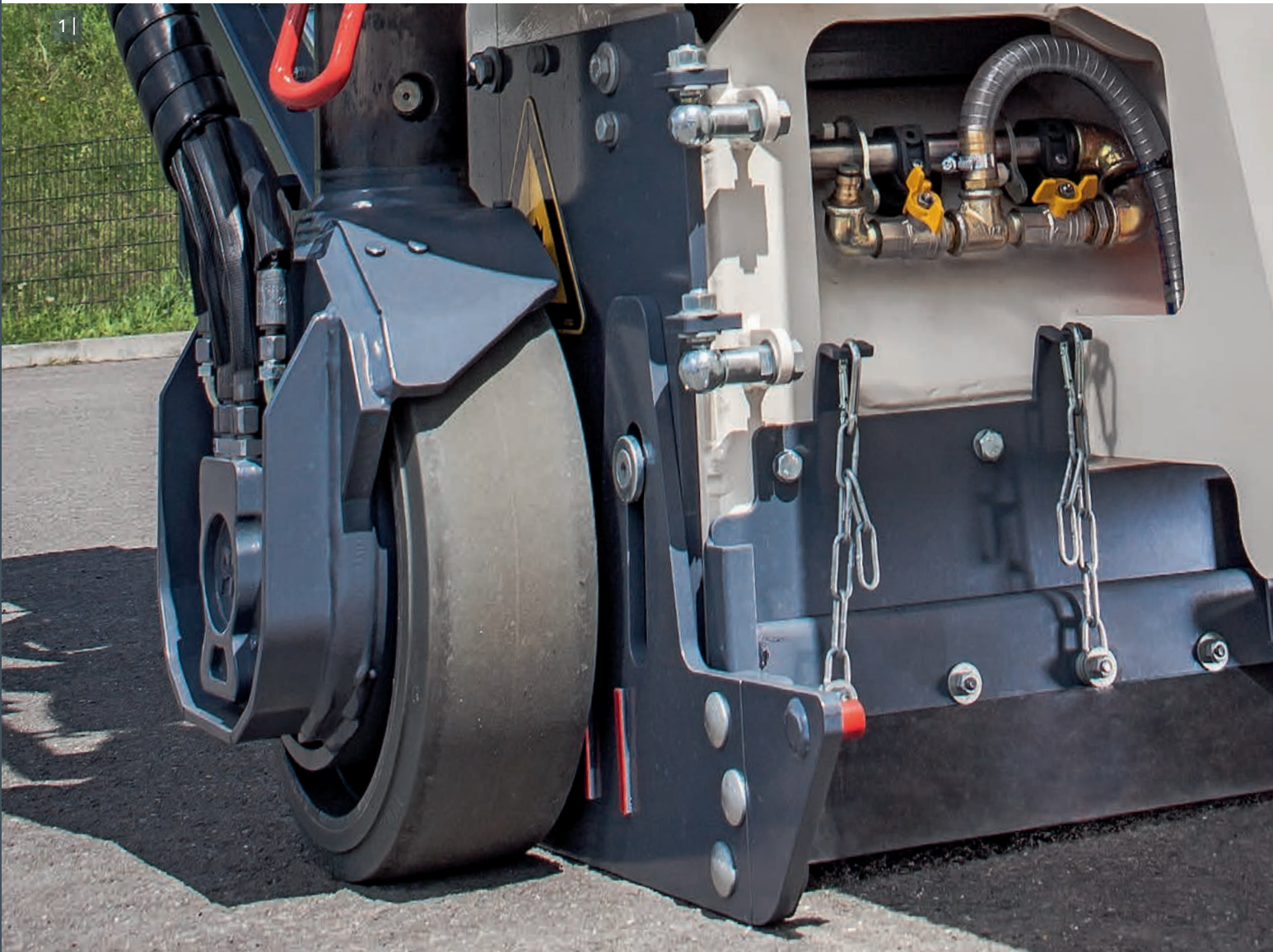
RAISABLE SIDE PLATE ON RIGHT SIDE

Side plates on both sides reliably seal the drum housing and enable the milled material to be loaded cleanly. The side plate on the right side can be conveniently raised via a foot pedal in order to drive over obstacles (such as a curb).

1 | *The right side plate can be raised via a foot pedal.*

HIGH-PERFORMANCE, LOAD-DEPENDENT WATER SPRINKLING

Together with the water spray bar, the high-performance, load-dependent water pump reliably cools the picks, binds dust, and ensures that the machine remains productive for extended periods of time. It also maintains constant high water pressure for easy machine cleaning on the job site.



2 | The sprinkler unit is easily accessible and the individual spray nozzles can be easily removed for cleaning.

3 | All of the picks can be easily and conveniently replaced after opening the MCS side panel.



Flexibility for Different Milling Jobs

MILLING DRUM HOUSINGS FOR WORKING WIDTHS UP TO 14 IN (350 MM) AND 20 IN (500 MM)

The standard milling drum housing can be fitted with milling drums with a working width of up to 14 in (350 mm), and with milling drums with a working width of up to 20 in (500 mm) at the customer's request. A large number of different original WIRTGEN milling drums and special milling drums are available.

RAPID MILLING DRUM CHANGES

The hinged MCS side panel on the right and intelligent installation tools allow milling drums to be changed in a short period of time.

1 | Numerous different milling drums make a wide range of applications possible.

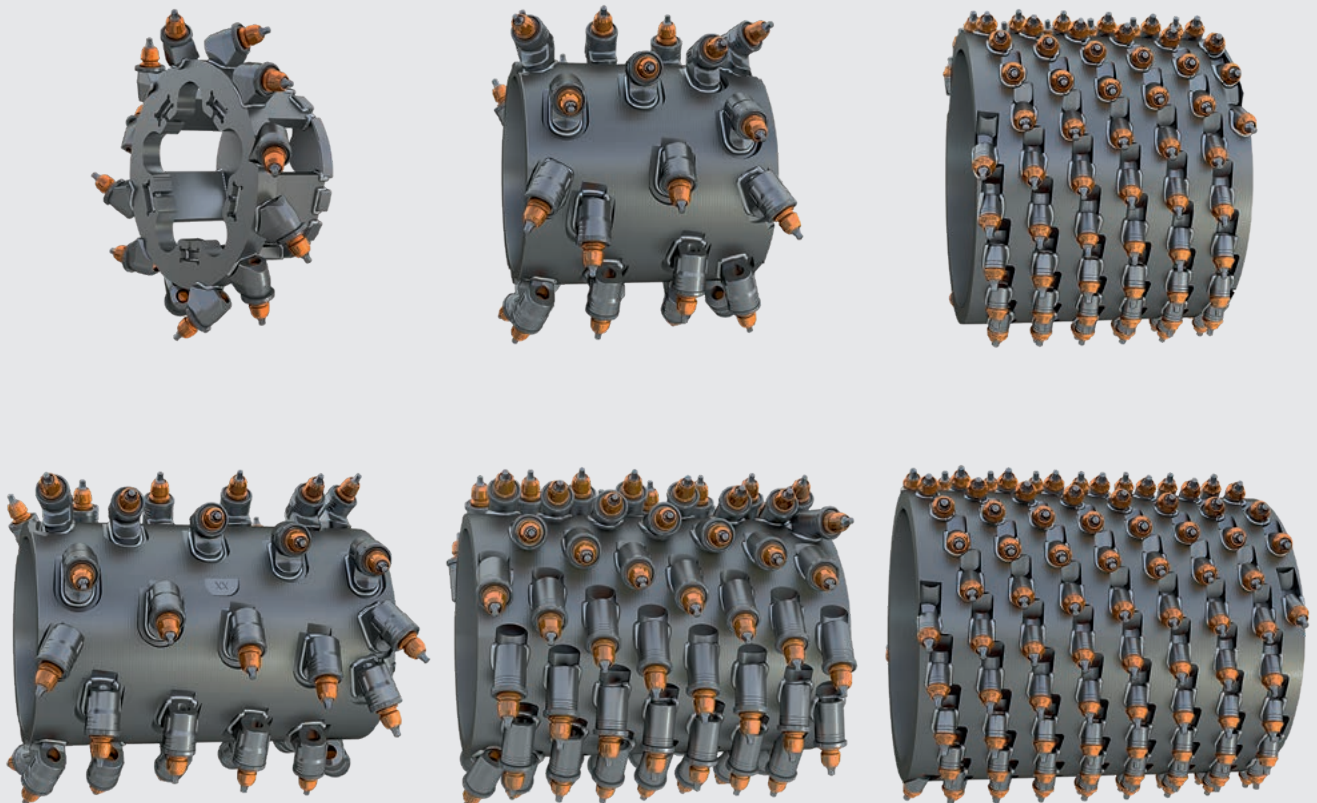
THREE DIFFERENT MILLING DRUM SPEEDS

Three different milling drum speeds make it possible to achieve unparalleled milling performance in a wide range of applications.

MILLING POWER CONTROL FOR MAXIMUM ADVANCE SPEED

The electronic load limitation regulator that can be activated as required adjusts the advance rate as a function of the engine load so that the small milling machine always operates at the ideal milling speed.

11



Efficient Loading of Milled Material

Anyone who has the arduous task of manually removing milled material from the milled surface will immediately appreciate the W 35 XRi rear loader's height-adjustable discharge conveyor that can swing in both directions. It transports the milled material effectively and safely into a wheel loader bucket, for instance.

HEIGHT-ADJUSTABLE DISCHARGE CONVEYOR THAT CAN SWING IN BOTH DIRECTIONS

The height-adjustable discharge conveyor that can swing in both directions ensures that the milled material can be easily loaded, even in difficult job site conditions. In this process, the angle can be conveniently adjusted using a cable winch.

HYDRAULICALLY RAISABLE CONVEYOR MOUNTING

The hydraulically raisable conveyor mounting, combined with the hydraulic scraper, not only ensures that the milled material is loaded cleanly, but also makes it possible to load only part of the milled material, if required.

RAPID MOUNTING AND DEMOUNTING OF THE DISCHARGE CONVEYOR

The intelligent design ensures that the discharge conveyor can be mounted / demounted quickly by just one person. Thanks to the roller unit, the demounted discharge conveyor can be moved effortlessly around the job site.

1 | *The variably adjustable discharge conveyor makes it possible to reliably load a wheel loader bucket or mini-dumper.*



Performance and

Productivity Highlights





SMALL MACHINE - IMPRESSIVE PERFORMANCE

Small cold milling machines like WIRTGEN's W 35 XRi are capable of delivering outstanding results. Responsive and powerful - thanks to electronic engine control. Efficient in operation - thanks to innovative technologies like WIDRIVE and WITOS FleetView. Environmentally friendly - thanks to state-of-the-art engine technology. The W 35 XRi is the small milling machine that makes a big impact.

High Productivity with Low Environmental Emissions

26
27

The W 35 XRi equips contractors with sophisticated technology – a key factor in ensuring consistently high operational safety and daily output rates. The machine is even perfect for job sites that only allow minimal exhaust emissions.

HIGH-PERFORMANCE DIESEL ENGINE THAT MEETS US EPA TIER 4f EMISSION STANDARD

The powerful diesel engine with temperature-dependent fan speed guarantees quiet, economical operation and high power reserves for fast milling at any milling depth. The engine also meets the stringent requirements of the US EPA Tier 4f, currently the highest emission standard.

VARIABLE ADDITIONAL WEIGHTS

The wide ballasting range consists of individually removable weight plates up to a total of 3,087 lbs (1,400 kg), increasing the machine's range of applications.

WITOS FLEETVIEW TELEMATICS SYSTEM

WIRTGEN's efficient WITOS FleetView telematics system supports fleet management, position and status monitoring, as well as maintenance and diagnostic processes.

LED WORK LIGHTS

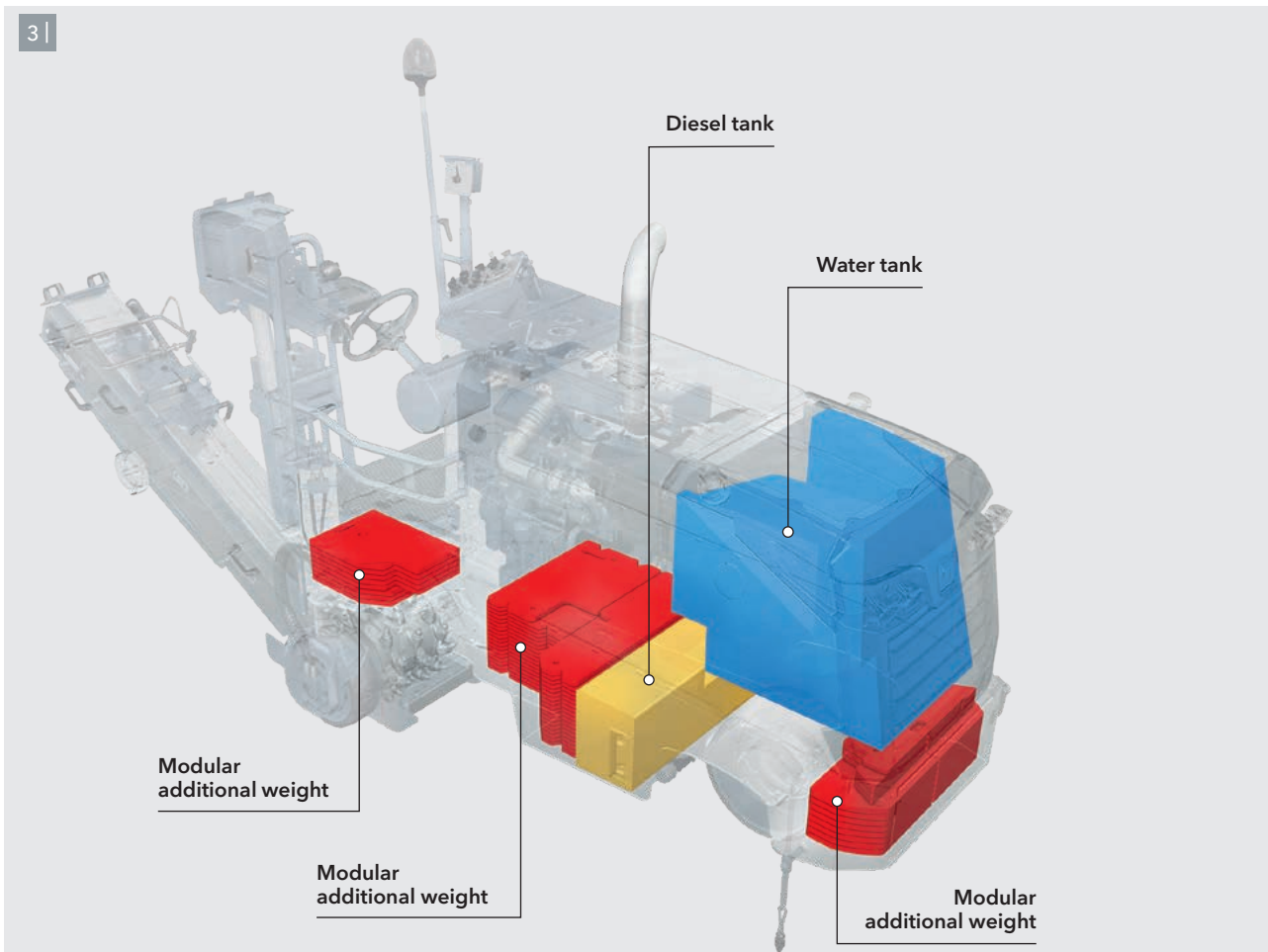
The ideal arrangement of the LED work lights ensures that the entire machine environment is brightly illuminated.



1 | Excellent access to components makes servicing the machine easy.

2 | LED headlights offer excellent visibility and safety in the dark.

3 | Additional weights ensure that the machine has excellent traction in any application and without the additional weights, the machine can also be used for milling in buildings with limited load capacity, for example.



Technical Specifications

W 35 XRi

28
29

	Standard FB350	Optional FB500
Milling Drum		
Milling width	14 in (350 mm)	20 in (500 mm)
Milling depth*1	0 - 4 in (0 - 110 mm)	
Cutting diameter	18 in (460 mm)	
Engine		
Manufacturer	Deutz AG	
Type	TCD 2.9 L4	
Cooling	Wasser	
Number of cylinders	4	
Rated power at 2,300 rpm	45 kW / 60 HP / 61 PS	
Maximum power at 2,300 rpm	45 kW / 60 HP / 61 PS	
Displacement	176 c. i. (2,925 cm ³)	
Fuel consumption at rated power during a mixture of job site operations	3.5 gph (13.2 l / h) 2.3 gph (8.8 l / h)	
Sound power level in accordance with DIN EN 500-2 engine operator's platform	≤ 100 dB(A) ≥ 80 dB(A)	
Emissions standard	US EPA Tier 4f	
Electrical System		
Power supply	24 V	
Tank Capacities		
Fuel	18.5 gal (70 l)	
Hydraulic oil	8.5 gal (32 l)	
Water	72.6 gal (275 l)	
Driving Performance		
Max. milling speed	0 - 82 ft / min (0 - 25 m / min) (0 - 0.9 mph (0 - 1.5 km / h))	
Max. travel speed	0 - 328 ft / min (0 - 100 m / min) (0 - 3.7 mph (0 - 6 km / h))	
Tires		
Tire size, front (D x W)	20 in x 10 in (500 x 250 mm)	
Tire size, rear (D x W)	16 in x 5 in (405 x 130 mm)	
Loading of Milled Material		
Belt width of primary conveyor	10 in (250 mm)	
Theoretical capacity of discharge conveyor	43.2 yd ³ / h (33 m ³ / h)	

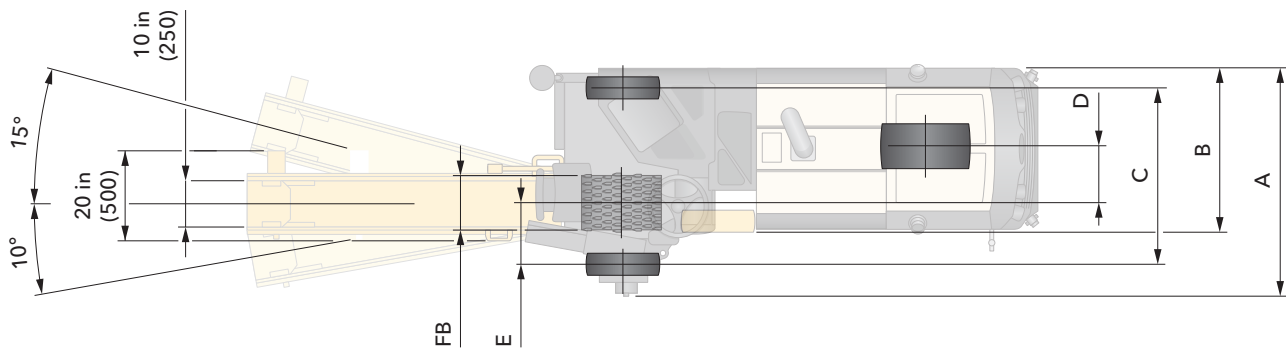
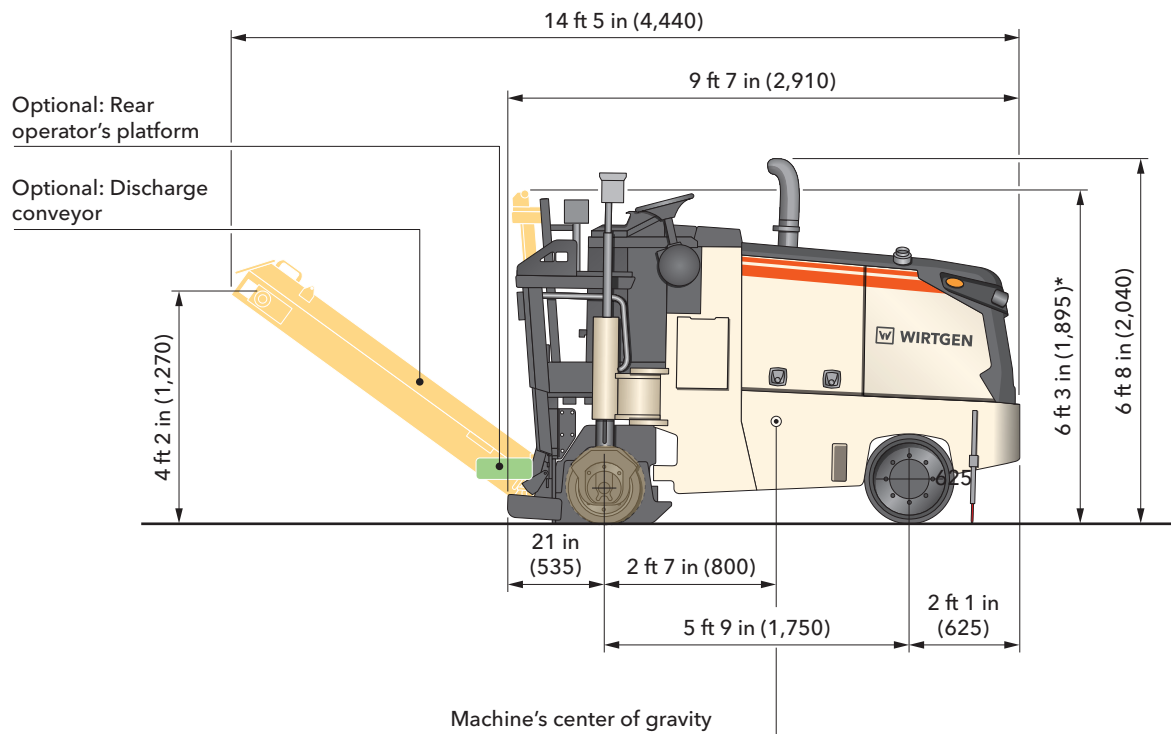
*1 = The maximum milling depth may deviate from the value indicated due to tolerances and wear.

Basic Machine Weight		
Net weight of machine without fluids	6,548 lbs (2,970 kg)	
Operating weight, CE*2, including additional weights	10,252 lbs (4,650 kg)	
Maximum operating weight (full tanks, full range of equipment)	11,464 lbs (5,200 kg)	
Weight of Tank Contents		
Water	606 lbs (275 kg)	
Fuel (0.83 kg / l)	128 lbs (58 kg)	
Additional Weight		
Operator and Tools		
Machine operator	165 lbs (75 kg)	
2 pick containers	110 lbs (50 kg)	
Vehicle tool kit	66 lbs (30 kg)	
Optional Milling Drum Units Instead of Standard		
	Absolute Weight	Additional / Reduced Weight
Attachments for milling drum housing FB350 - for operation with discharge conveyor	112 lbs (51 kg)	64 lbs (29 kg)
Attachments for milling drum housing FB500 - for operation without discharge conveyor	221 lbs (100 kg)	172 lbs (78 kg)
Attachments for milling drum housing FB500 - for operation with discharge conveyor	355 lbs (161 kg)	306 lbs (139 kg)
Optional Milling Drums Instead of Standard		
Milling drum FB350 HT5 LA6 with 57 picks	238 lbs (108 kg)	40 lbs (18 kg)
Milling drum FB350 HT4 LA3 with 117 picks	227 lbs (103 kg)	29 lbs (13 kg)
Milling drum FB500 HT08 LA15 with 39 picks	271 lbs (123 kg)	73 lbs (33 kg)
Milling drum FB500 HT5 LA6 with 82 picks	353 lbs (160 kg)	154 lbs (70 kg)
Micro fine milling drum with gutter profile, FB150+2x25 (lateral discharge) HT4 LA3 with 67 picks	154 lbs (97 kg)	15 lbs (7 kg)
Milling drum FB200+2x25 HT4 LA3 with 83 picks	216 lbs (98 kg)	18 lbs (8 kg)
Milling drum FB250+2x25 HT4 LA3 with 99 picks	221 lbs (100 kg)	22 lbs (10 kg)
Milling drum FB300+2x25 HT4 LA3 with 117 picks	221 lbs (100 kg)	22 lbs (10 kg)
Milling drum FB450+2x25 HT4 LA3 with 166 picks	315 lbs (143 kg)	117 lbs (53 kg)
Saw blade FB14 for rail milling	22 lbs (10 kg)	-176 lbs (-80 kg)
Saw blade FB19 for rail milling	29 lbs (13 kg)	-170 lbs (-77 kg)
Rail milling attachments Ri59N	126 lbs (57 kg)	126 lbs (57 kg)
Milling drum FB25 with 6 picks for rail milling	38 lbs (17 kg)	-161 lbs (-73 kg)
Milling drum FB45 with 24 picks for rail milling	62 lbs (28 kg)	-137 lbs (-62 kg)
Milling drum FB80 HT02 FT110 with 12 picks	57 lbs (26 kg)	141 lbs (-64 kg)
Optional Additional Weights		
Modular additional weight	3,087 lbs (1,400 kg)	3,087 lbs (1,400 kg)
Optional Additional Equipment		
Discharge conveyor, 6 ft 2 in (1,870 mm) long, conveyor belt width 10 in (250 mm)	276 lbs (125 kg)	276 lbs (125 kg)
Additional scraper flap FB350 as prerequisite for footboard unit	40 lbs (18 kg)	0 lbs (0 kg)
Additional scraper flap FB500 as prerequisite for footboard unit	49 lbs (22 kg)	0 lbs (0 kg)
Lowered operator's platform behind the machine	112 lbs (51 kg)	112 lbs (51 kg)
Mounting for side milling wheel FB80, FT180, complete	432 lbs (196 kg)	185 lbs (84 kg)
Hydraulic jack hammer with 32 ft 10 in (10 m) connection hose	82 lbs (37 kg)	82 lbs (37 kg)

*2 = Machine weight, half-full tanks, vehicle tool kits, machine operator, excluding optional equipment

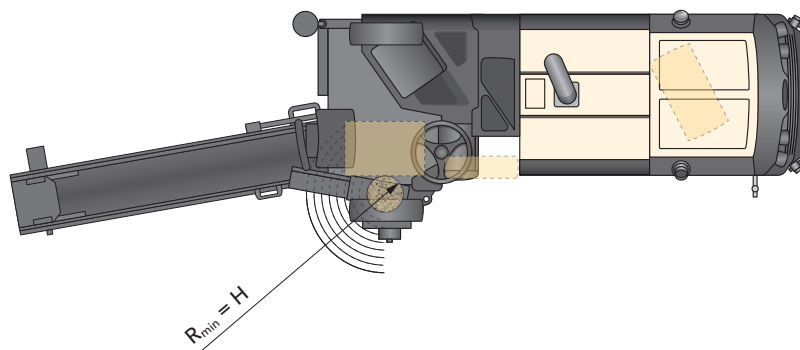
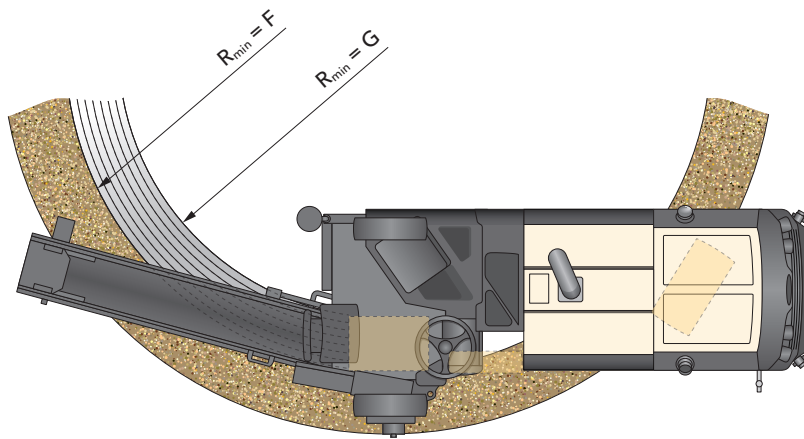
Dimensions

W 35 XRi



	A	B	C	D	E	FB
Standard FB350	3 ft 11 in (1,200)	2 ft 11 in (900)	3 ft 1 in (945)	12 in (310)	12 in (295)	14 in (350)
Optional FB500	4 ft 5 in (1,350)	2 ft 11 in (900)	3 ft 7 in (1,095)	15 in (385)	15 in (370)	20 in (500)

Dimensions in American standard and mm
* = Maximum machine height with exhaust pipe removed



	F	G	H
Standard FB350	9 ft 10 in (2,990)	8 ft 8 in (2,640)	3 in (80)
Optional FB500	10 ft 4 in (3,140)	8 ft 8 in (2,640)	0 in (0)

Milling radius, milling depth 50 mm, dimensions in American standard and mm

Standard Equipment

W 35 XRi

32
33

Basic Machine	
Base machine with engine	■
Robust machine chassis	■
Wide opening engine cowlings, with gas spring support and highly effective noise insulation	■
Radiator with temperature-dependent fan speed	■
Integrated 72 gal (275 liter) water tank	■
Integrated 18 gal (70 liter) diesel tank	■
Loading and tie-down points integrated in the chassis	■
Exhaust after-treatment diesel oxidation catalytic converter DOC	■
Milling Drum Assembly	
Water spraying strip with on / off function for pick cooling with water pump with load-dependent control	■
Wide opening milling drum door with automatic electrical safety shut-down	■
Right side plate in hinged configuration in conjunction with centering pin system on the milling drum holder for quick and easy change of milling drums	■
The right-hand side plate can be easily lifted using the foot pedal on the operator's stand	■
Ancillary parts for milling drum housing FB350 - for operation without discharge conveyor	□
Milling Drums	
Milling drum FB350 HT08 LA15 with 31 picks	□
Machine Control and Leveling System	
WIDRIVE machine controller to reduce operator workload and increase performance	■
Mechanical milling depth display right and left	□
Operator's Platform	
Flexibly mounted operator's platform on the top of the machine	■
Multi-function armrest on right with up / down and front / back adjustment with joystick and various controls ergonomically arranged	■
Display for important machine parameters on the left control panel	■
Convenient operating console with practical switches	■
Convenient footstep to the operator's platform	■
Operator's platform with vibration damping	■
Steering console with adjustable inclination	■
Lockable control panel covers	■

- = Standard equipment
- = Standard equipment, can be replaced with optional equipment if desired
- = Optional equipment

Track Unit and Height Adjustment	
Hydraulic 3-wheel all-wheel drive with hydraulic flow distributor	■
Two manually engageable milling speeds as well as one traveling gear	■
Hydraulic, easy front wheel steering	■
Hydraulic spring-loaded multi-disc brake	■
Hydraulic height adjustment with two speeds at the rear track units	■
Manually folding-in rear right wheel	■
Miscellaneous	
Lockable toolbox with toolkit for maintenance and servicing	■
Additional mount for a pick container	■
Device for towing away for releasing the spring-loaded multi-disc brake	■
Reversing horn	■
Extensive safety package with EMERGENCY STOP switch	■
Pre-fitting for installing the WITOS FleetView control unit	■
European type certification, EuroTest mark and CE conformity	■
Machine without additional hydraulic drive	□
Standard painting in RAL 9001 (cream)	□
WITOS FleetView - professional telematics solution for machine operation and service optimisation	□
Halogen lighting system including rotating beacon	□

- = Standard equipment
- = Standard equipment, can be replaced with optional equipment if desired
- = Optional equipment

Optionale Ausstattung

W 35 XRi

34
35

Milling Drum Assembly	
Ancillary parts for milling drum housing FB350 - for operation with discharge conveyor	<input type="checkbox"/>
Ancillary parts for milling drum housing FB500 - for operation without discharge conveyor	<input type="checkbox"/>
Ancillary parts for milling drum housing FB500 - for operation with discharge conveyor	<input type="checkbox"/>
Milling Drums	
Milling drum FB500 HT08 LA15 with 39 picks	<input type="checkbox"/>
Side milling ring FB80, milling depth 7 in (180 mm) complete	<input type="checkbox"/>
Ancillary parts rail milling Ri59N	<input type="checkbox"/>
Milling drum FB25 with 6 picks rail milling	<input type="checkbox"/>
Milling drum FB45 with 24 picks rail milling	<input type="checkbox"/>
Saw blade FB14 rail milling	<input type="checkbox"/>
Saw blade FB19 rail milling	<input type="checkbox"/>
Adapter with saw blade FB14, MD100	<input type="checkbox"/>
Adapter with saw blade FB19, MD100	<input type="checkbox"/>
Fine milling drum FB350 HT5 LA6 with 57 picks	<input type="checkbox"/>
Microfine milling drum FB350 HT4 LA3 with 117 picks	<input type="checkbox"/>
Microfine milling drum gutter profile, FB150+2x25 (lateral taper) HT4 LA3 with 67 picks	<input type="checkbox"/>
Milling drum FB200+2x25 HT4 LA3 with 83 picks	<input type="checkbox"/>
Milling drum FB250+2x25 HT4 LA3 with 99 picks	<input type="checkbox"/>
Milling drum FB300+2x25 HT4 LA3 with 117 picks	<input type="checkbox"/>
Milling drum FB80 HT02 MD110 with 12 picks	<input type="checkbox"/>
Fine milling drum FB500 HT05 LA6 with 82 picks	<input type="checkbox"/>
Milling drum FB450+2X25 HT4 LA3 with 166 picks	<input type="checkbox"/>
Loading of the Milled Material	
Discharge conveyor, 6 ft 2 in (1,870 mm) long, conveyor belt width 10 in (250 mm), includes rope winch height adjustment	<input type="checkbox"/>
Connection pipe Ø 5 in (120 mm) for dust extraction	<input type="checkbox"/>

- = Standard equipment
- = Standard equipment, can be replaced with optional equipment if desired
- = Optional equipment

Machine Control and Leveling System	
LEVEL PRO PLUS leveling system right and left	<input type="checkbox"/>
Pre-fitting for laser leveling with two laser receiver - without laser transmitter	<input type="checkbox"/>
RAPID SLOPE cross-slope sensor for LEVEL PRO ACTIVE leveling system	<input type="checkbox"/>
Pre-programmable height positions with automatic positioning	<input type="checkbox"/>
Operator's Platform	
Equipment of the operator's platform with a stand-up seat	<input type="checkbox"/>
Additional scraper plate FB350 required for footboard unit (for machine with discharge conveyor)	<input type="checkbox"/>
Additional scraper plate FB500 required for footboard unit (for machine with discharge conveyor)	<input type="checkbox"/>
Operator's platform in lowered position behind the machine	<input type="checkbox"/>
Miscellaneous	
Hydraulic drive for discharge conveyor or hydraulic jack hammer	<input type="checkbox"/>
Painting in one special color (RAL)	<input type="checkbox"/>
Painting in two special colors (RAL)	<input type="checkbox"/>
Model without WITOS FleetView	<input type="checkbox"/>
High-power lighting system LED including rotating beacon	<input type="checkbox"/>
Modular additional weight 3,087 lbs (1,400 kg)	<input type="checkbox"/>
Hydraulic hammer including 32 ft 10 in (10-m) connecting hose	<input type="checkbox"/>
License plate holder with LED lighting	<input type="checkbox"/>

= Standard equipment
 = Standard equipment, can be replaced with optional equipment if desired
 = Optional equipment

 **WIRTGEN GROUP**

WIRTGEN AMERICA Inc.
6030 Dana Way · Antioch, TN 37013, USA
Phone: (615) 501-0600 · Fax: (615) 501-0691
Internet: www.wirtgen-group.com/america

