

Technical information

SUPER 1600-3(i)



Tracked paver SUPER 1600-3(i)

Universal Class

TECHNICAL HIGHLIGHTS

- > Maximum pave width 7.5 m
- > Maximum laydown rate 600 t/h
- > Transport width 2.55 m
- > Engine output: 115/116 kW at 2,000 rpm

SUPER 1600-3(i) - the innovative tracked paver

The SUPER 1600-3(i) is an extremely manoeuvrable and versatile tracked paver of the Universal Class. Highly efficient drive units are installed, ensuring particularly economical and eco-friendly operation.

ErgoPlus 3 demonstrates just how effectively advanced technology can be controlled. The paver can be operated safely and simply with the ergonomic VÖGELE operating concept.



TECHNICAL DATA	SUPER 1600-3i	SUPER 1600-3
Power unit		
	for EU/EFTA countries/USA/Canada/Japan	for all other countries
Engine	liquid-cooled 4-cylinder diesel engine	
> Version	Cummins	
> Manufacturer	Cummins	
> Type	B4.5-C154	QSB4.5-C155
Output		
> Nominal	115 kW at 2,000 rpm	116 kW at 2,000 rpm
> ECO mode	109 kW at 1,700 rpm	106 kW at 1,700 rpm
Emissions information		
> Exhaust emissions standards	EU Stage V, US EPA Tier 4f	EU Stage 3a, US EPA Tier 3
> Exhaust gas after-treatment	DOC, DPF, SCR	
> Guaranteed sound power level	L _{WA} = 107 dB(A) (2000/14/EG, EN ISO 3744; EN 500-6)	
> Sound pressure level at the operator's stations	L _{PA} ≤ 85 dB(A) (EN ISO 11201; EN 500-6)	
Fuel tank	220 litres	
Undercarriage		
Crawler tracks		
> Version	with rubber pads	
> Ground contact	2,410 x 305 mm	
> Track tension adjuster	spring assembly	
> Lubrication of track rollers	lifetime	
Traction drive		
> Version	separate hydraulic drive and electronic control provided for each crawler track	
Speeds		
> Paving	up to 25 m/min., infinitely variable	
> Travel	up to 4.5 km/h, infinitely variable	
Material hopper		
Hopper capacity	13 t	
Width	3,265 mm	
Feed height	615 mm (bottom of material hopper)	
Push-rollers		
> Standard	oscillating	
> Position	can be displaced forwards by 75 mm or 150 mm	
> Option	sprung (PaveDock)	

Conveyors and augers

Conveyors

> Version	2, with replaceable feeder bars, conveyor movement reversible for a short time
> Drive	separate hydraulic drive provided for each conveyor
> Speed	up to 34 m/min., infinitely variable (manual or automatic)

Augers

> Version	2, with exchangeable auger blades, auger rotation reversible
> Diameter	400 mm
> Drive	separate hydraulic drive provided for each auger
> Speed	up to 84 rpm, infinitely variable (manual or automatic)
> Height	infinitely variable by 15 cm, hydraulic, lowest position 10 cm above the ground

Lubrication

automatic centralized lubrication system with electrically driven grease pump

Screed options

AB 500

AB 600

Basic width	2.55 m to 5 m	3 m to 6 m
Maximum width	6.5 m 7.5 m*	
Compacting system	TV	
Layer thickness	up to 30 cm	
Screed heating		
> Version	electric by heating rods	
> Power supply	three-phase AC generator	

Dimensions (transport) and weights

Length

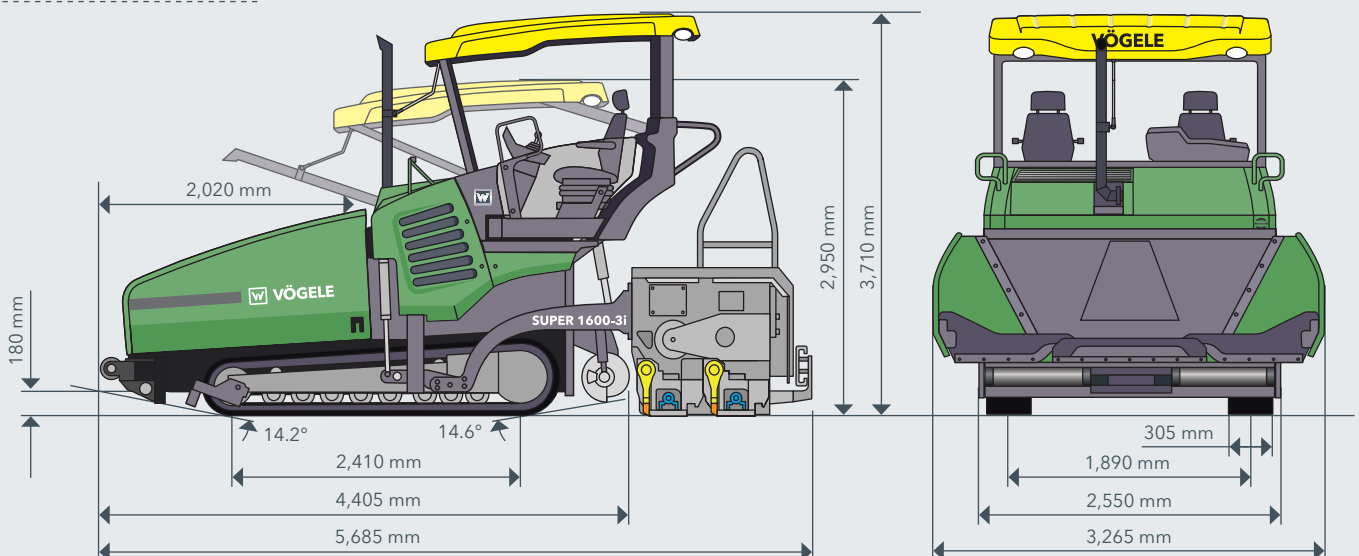
> Version	tractor unit and screed
> AB 500/600 TV	5.69 m

Weights

> Version	tractor unit and screed
> AB 500 TV	pave widths up to 5 m: 18,750 kg / pave widths up to 6.5 m: 22,400 kg

Key: DOC = Diesel Oxidation Catalyst, DPF = Diesel Particulate Filter, SCR = Selective Catalytic Reduction, AB = Extending Screed, TV = with tamper and vibrators
 * Pave widths of 7 m and 7.5 m are possible with extra equipment (available upon request)

SIDE AND FRONT VIEW



THE HIGHLIGHTS OF THE SUPER 1600-3(i)

- > Tracked Universal Class paver with a large range of applications and pave widths up to 7.5 m*
- > Powerful and economical drive concept, even when operating at full load in any climate zone
- > The VÖGELE EcoPlus low-emissions package significantly reduces fuel consumption and noise levels
- > Optimum feeding with mix thanks to the large material hopper, PaveDock sprung push-rollers and PaveDock Assistant communication system
- > ErgoPlus 3 operating system with numerous convenient and automatic functions
- > Can be combined with the AB 500 TV and AB 600 TV Extending Screeds

FEATURES	SUPER 1600-3i	SUPER 1600-3
> Simple, ergonomic ErgoPlus 3 operating concept	■	■
> Windscreen with windscreen wipers	□	□
> 2 comfortable operator's seats	■	■
> 2 ergonomic heated operator's seats	□	□
> LED light balloon for use at night	□	□
> Powerful, oil-cooled generator	■	■
> VÖGELE EcoPlus low-emissions package	■	□
> PaveDock Assistant communication system	□	□
> Hydraulic hopper front	□	□
> Large receiving hopper holding 13 tonnes	■	■
> Sonic sensor to control augers	□	□
> Niveltronic Plus System for Automated Grade and Slope Control	□	□
> Ventilation system	□	□
> AutoSet Plus	□	□
> WITOS FleetView telematics system	■	■
> WITOS Paving Plus process management solution	□	□
> WITOS Paving Docu records paver and paving data	□	□
> VÖGELE RoadScan comprehensive asphalt temperature measuring system	□	□

This list is just an extract of the scope of supply.

Standard features and options may differ by sales region.

* Pave widths of 7 m and 7.5 m are possible with extra equipment (available upon request)

■ Standard feature □ Option

JOSEPH VÖGELE AG

Joseph-Vögele-Str. 1
67075 Ludwigshafen
Germany

T: +49 621 8105-0
F: +49 621 8105-461
M: marketing@voegele.info

www.voegele.info

